

HCP PUMP

Model	FN-32U
Series	F/FN
Frequency	60
Phase / Volt	1 Ø / 220 V
Rated Current	10 A
Discharge	80 mm (3")



Motor Data

Input Power—P1	2 kW
Rated Power—P2	1.5 kW
Insulation Class	F
Max. Starts Per Hour	10
Rated Speed (rpm)	3440
Start Method	CAPACITOR
Ingress Protection Code	IP68
Explosion-Proof	NO

Technology

Impeller Type	Vortex
Mechanical Seal	Double
Lubricating Oil VG32	800 CC
Solid Passage	50 mm (2")
Cooling Type	External cooling

Material

Motor Frame	SUS304 (AISI 304)
Shaft	SUS403 (ASTM 403)
Casing	FC200 (ASTM-30)
Impeller	FC200 (ASTM-30)
Mechanical Seal	CA/CE&SiC/SiC
Cable	VCT,SJOW
Upper and Lower Bearing	6204ZZ,6305ZZ

Liquid

Maximum Ambient Temperature	0~40°C (32~104°F)
Maximum Installation Depth	20m (66ft)
Highest Liquid Temperature	40 °C (104°F)
Liquid Transported	Sewage

Others(Optional)

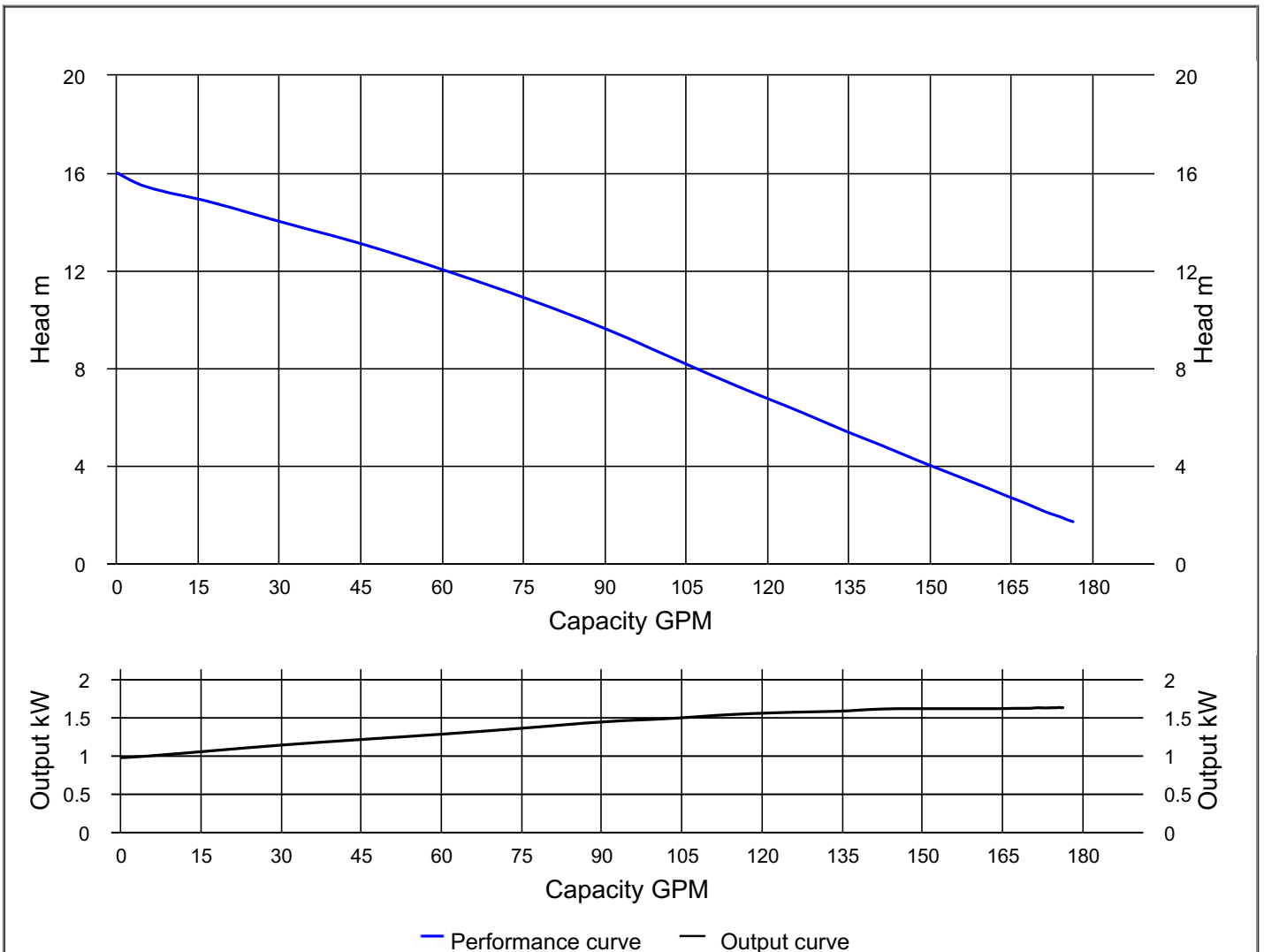
Protection Device	Auto-cut Protector
Moisture Sensor	



HCP PUMP

PUMP PERFORMANCE CURVES

Model	FN-32U	File NO.	20240706000444
Frequency	60 Hz	Ver NO.	202003060911
Discharge	3" / 80 mm	REFERENCE SPECIFICATION	
Power	2 HP / 1.5 kW	Output	1.5 kW
Std. Head	8 m	Efficiency	35 %
Std. Capacity	106 GPM		
Phase / Volt	1 Ø / 220 V		
Rated Current	10 A		
Pole / rpm	2 P / 3440 rpm		
Start Method	CAPACITOR		
Insulation Class	F		

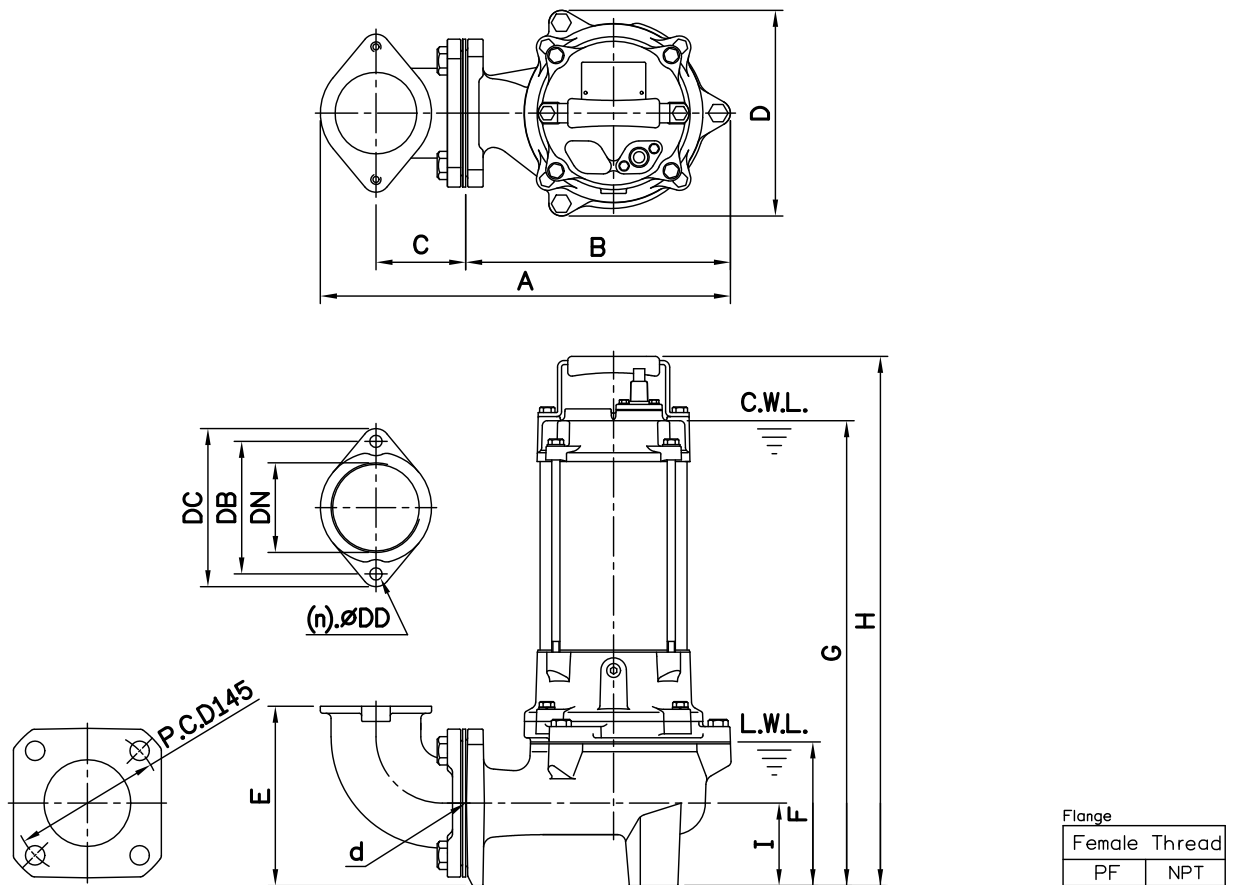


DIMENSIONS

NO: S3FNU222032-00

MODEL: FN-32U / 33U / 32UL / 33UL

1Ø / 3Ø



Dimensions—mm

Weight:kg

Model	d	A	B	C	D	E	F	G	H	I	WT1	Elbow (Flange)Set	DN	DB	DC	DD	(n)QTY	WT2
FN-32U 1Ø	80	402	260	88	202	176	140	525	588	81	32	EB3-130	80	130	155	12	2	5
FN-33U 1Ø	80	402	260	88	202	176	140	537	600	81	35	EB3-130	80	130	155	12	2	5
FN-32UL 1Ø	80	407	265	88	221	215	193	577	640	120	35	EB3-130	80	130	155	12	2	5
FN-33UL 1Ø	80	407	265	88	221	215	193	589	652	120	37	EB3-130	80	130	155	12	2	5
FN-32U 3Ø	80	402	260	88	202	176	141	456	519	81	28	EB3-130	80	130	155	12	2	5
FN-33U 3Ø	80	402	260	88	202	176	141	456	519	81	30	EB3-130	80	130	155	12	2	5
FN-32UL 3Ø	80	407	265	88	221	215	193	508	571	120	34	EB3-130	80	130	155	12	2	5
FN-33UL 3Ø	80	407	265	88	221	215	193	508	571	120	36	EB3-130	80	130	155	12	2	5

Dimensions—inch

Weight:lb

Model	d	A	B	C	D	E	F	G	H	I	WT1	Elbow (Flange)Set	DN	DB	DC	DD	(n)QTY	WT2
FN-32U 1Ø	3	15 ¹⁵ / ₁₆	10 ³ / ₄	3 ¹ / ₁₆	7 ¹⁵ / ₁₆	6 ¹⁵ / ₁₆	5 ¹ / ₂	22 ¹ / ₁₆	23 ³ / ₈	3 ³ / ₁₆	71	EB3-130	3	5 ¹ / ₈	6 ¹ / ₈	1/2	2	11
FN-33U 1Ø	3	15 ¹⁵ / ₁₆	10 ³ / ₄	3 ¹ / ₁₆	7 ¹⁵ / ₁₆	6 ¹⁵ / ₁₆	5 ¹ / ₂	21 ¹ / ₈	23 ³ / ₈	3 ³ / ₁₆	77	EB3-130	3	5 ¹ / ₈	6 ¹ / ₈	1/2	2	11
FN-32UL 1Ø	3	16	10 ¹ / ₁₆	3 ⁷ / ₁₆	8 ¹¹ / ₁₆	8 ⁷ / ₁₆	7 ⁷ / ₈	22 ¹ / ₁₆	25 ³ / ₁₆	4 ³ / ₄	77	EB3-130	3	5 ¹ / ₈	6 ¹ / ₈	1/2	2	11
FN-33UL 1Ø	3	16	10 ¹ / ₁₆	3 ⁷ / ₁₆	8 ¹¹ / ₁₆	8 ⁷ / ₁₆	7 ⁷ / ₈	23 ³ / ₁₆	25 ³ / ₁₆	4 ³ / ₄	82	EB3-130	3	5 ¹ / ₈	6 ¹ / ₈	1/2	2	11
FN-32U 3Ø	3	15 ¹⁵ / ₁₆	10 ³ / ₄	3 ¹ / ₁₆	7 ¹⁵ / ₁₆	6 ¹⁵ / ₁₆	5 ¹ / ₂	17 ¹ / ₈	20 ¹ / ₁₆	3 ³ / ₁₆	62	EB3-130	3	5 ¹ / ₈	6 ¹ / ₈	1/2	2	11
FN-33U 3Ø	3	15 ¹⁵ / ₁₆	10 ³ / ₄	3 ¹ / ₁₆	7 ¹⁵ / ₁₆	6 ¹⁵ / ₁₆	5 ¹ / ₂	17 ¹ / ₈	20 ¹ / ₁₆	3 ³ / ₁₆	66	EB3-130	3	5 ¹ / ₈	6 ¹ / ₈	1/2	2	11
FN-32UL 3Ø	3	16	10 ¹ / ₁₆	3 ¹ / ₁₆	8 ¹¹ / ₁₆	8 ⁷ / ₁₆	7 ⁷ / ₈	20	22 ¹ / ₂	4 ³ / ₄	75	EB3-130	3	5 ¹ / ₈	6 ¹ / ₈	1/2	2	11
FN-33UL 3Ø	3	16	10 ¹ / ₁₆	3 ¹ / ₁₆	8 ¹¹ / ₁₆	8 ⁷ / ₁₆	7 ⁷ / ₈	20	22 ¹ / ₂	4 ³ / ₄	79	EB3-130	3	5 ¹ / ₈	6 ¹ / ₈	1/2	2	11

C.W.L.:Continuous Running Water Level
L.W.L.:Lowest Running Water Level

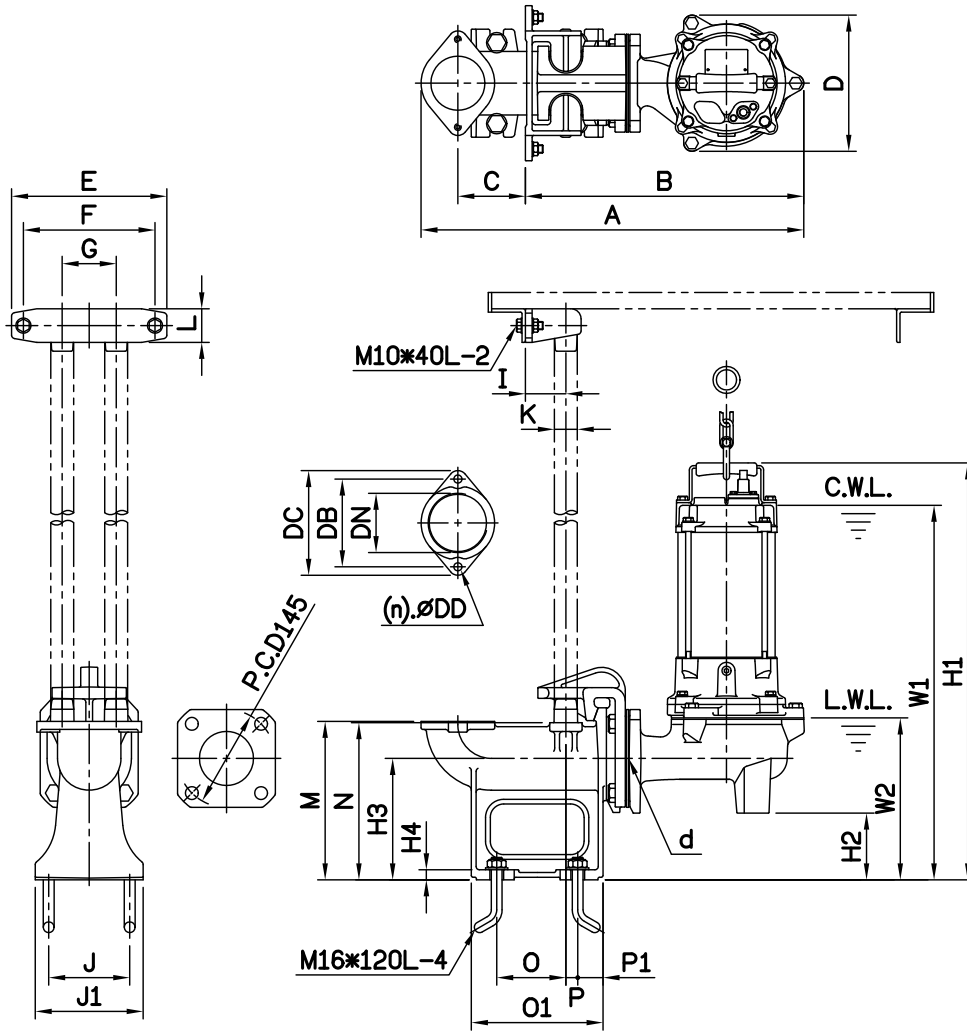
WT1:Pump Weight(Without Cable)
WT2:Elbow Set Weight

DIMENSIONS

NO: T3FNU222032-00

MODEL: FN-32U / 33U / 32UL / 33UL

1Ø / 3Ø



Flange	
Female Thread	
PF	NPT

Dimensions-mm

Elbow (Flange)Set	DN	DB	DC	DD	(n)QTY
EF3-130	80	130	155	12	2

Dimensions-inch

Elbow (Flange)Set	DN	DB	DC	DD	(n)QTY
EF3-130	3	5 1/8	6 1/8	1/2	2

Dimensions-mm

Model	d	A	B	C	D	E	F	G	I	J	J1	K	L	M	N	O	O1	P	P1	W1	W2	H1	H2	H3	H4	WT1	GRS Set	WT2
FN-32U 1Ø	80	568	413	100	202	230	195	80	60	120	160	1 1/4	50	235	233	103	195	18	38	624	240	685	99	180	15	32	T2-80	20
FN-33U 1Ø	80	568	413	100	202	230	195	80	60	120	160	1 1/4	50	235	233	103	195	18	38	636	240	697	99	180	15	35	T2-80	20
FN-32UL 1Ø	80	574	420	100	202	230	195	80	60	120	160	1 1/4	50	235	233	103	195	18	38	637	253	700	60	180	15	38	T2-80	20
FN-33UL 1Ø	80	574	420	100	202	230	195	80	60	120	160	1 1/4	50	235	233	103	195	18	38	637	253	700	60	180	15	40	T2-80	20
FN-32U 3Ø	80	568	413	100	202	230	195	80	60	120	160	1 1/4	50	235	233	103	195	18	38	555	240	618	99	180	15	28	T2-80	20
FN-33U 3Ø	80	568	413	100	202	230	195	80	60	120	160	1 1/4	50	235	233	103	195	18	38	555	240	618	99	180	15	30	T2-80	20
FN-32UL 3Ø	80	574	420	100	202	230	195	80	60	120	160	1 1/4	50	235	233	103	195	18	38	568	253	631	60	180	15	34	T2-80	20
FN-33UL 3Ø	80	574	420	100	202	230	195	80	60	120	160	1 1/4	50	235	233	103	195	18	38	568	253	631	60	180	15	36	T2-80	20

Weight:kg

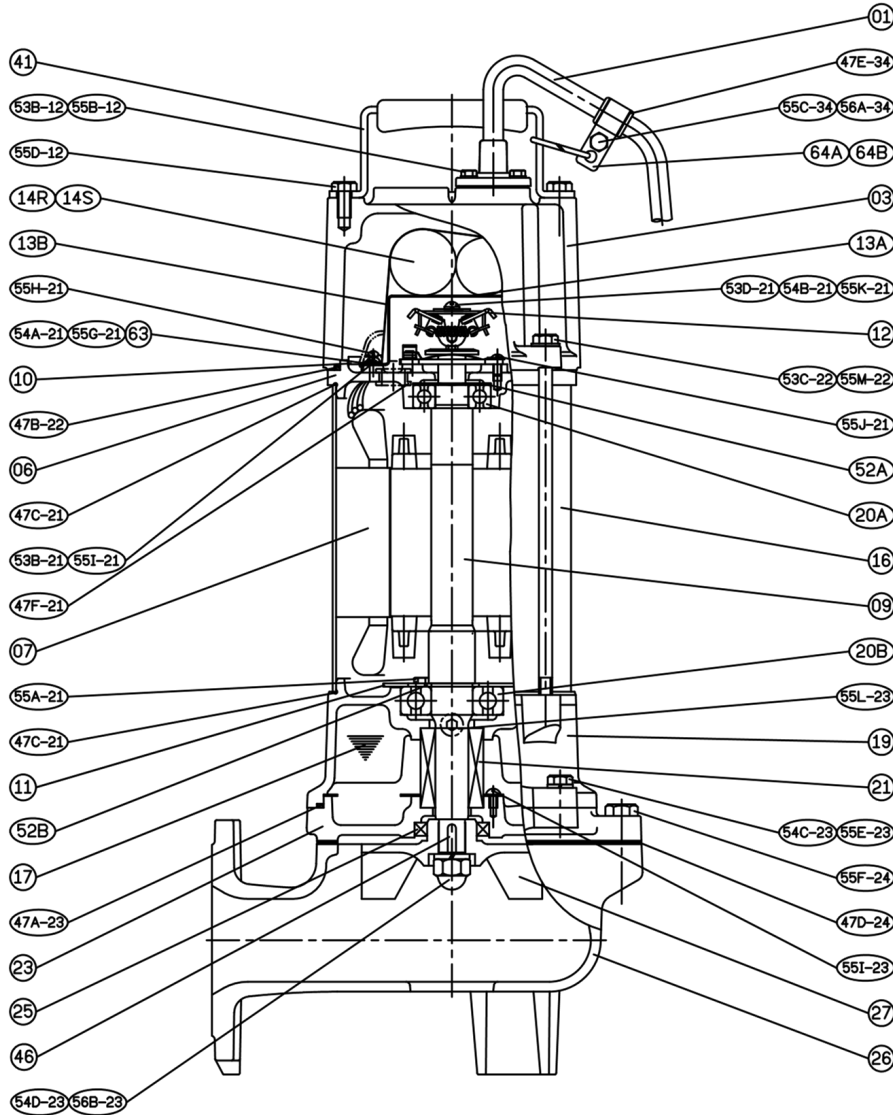
Dimensions-inch

Model	d	A	B	C	D	E	F	G	I	J	J1	K	L	M	N	O	O1	P	P1	W1	W2	H1	H2	H3	H4	WT1	GRS Set	WT2
FN-32U 1Ø	3	22 3/8	16 1/4	3 5/8	7 7/8	9 1/8	7 1/8	3 1/8	2 3/8	4 3/4	6 5/8	1 1/4	2	9 1/4	9 3/8	4 1/8	7 1/8	1 1/2	2 4 3/8	9 1/8	27	3 3/8	7 1/8	5/8	71	T2-80	43	
FN-33U 1Ø	3	22 3/8	16 1/4	3 5/8	7 7/8	9 1/8	7 1/8	3 1/8	2 3/8	4 3/4	6 5/8	1 1/4	2	9 1/4	9 3/8	4 1/8	7 1/8	1 1/2	25 1/8	9 1/8	27 1/8	3 3/8	7 1/8	5/8	77	T2-80	43	
FN-32UL 1Ø	3	22 3/8	16 3/8	3 5/8	7 7/8	9 1/8	7 1/8	3 1/8	2 3/8	4 3/4	6 5/8	1 1/4	2	9 1/4	9 3/8	4 1/8	7 1/8	1 1/2	25 1/8	9 1/8	27 1/8	2 3/8	7 1/8	5/8	84	T2-80	43	
FN-33UL 1Ø	3	22 3/8	16 3/8	3 5/8	7 7/8	9 1/8	7 1/8	3 1/8	2 3/8	4 3/4	6 5/8	1 1/4	2	9 1/4	9 3/8	4 1/8	7 1/8	1 1/2	25 1/8	9 1/8	27 1/8	2 3/8	7 1/8	5/8	88	T2-80	43	
FN-32U 3Ø	3	22 3/8	16 1/4	3 5/8	7 7/8	9 1/8	7 1/8	3 1/8	2 3/8	4 3/4	6 5/8	1 1/4	2	9 1/4	9 3/8	4 1/8	7 1/8	1 1/2	21 1/8	9 1/8	24 3/8	3 3/8	7 1/8	5/8	66	T2-80	43	
FN-33U 3Ø	3	22 3/8	16 1/4	3 5/8	7 7/8	9 1/8	7 1/8	3 1/8	2 3/8	4 3/4	6 5/8	1 1/4	2	9 1/4	9 3/8	4 1/8	7 1/8	1 1/2	21 1/8	9 1/8	24 3/8	3 3/8	7 1/8	5/8	62	T2-80	43	
FN-32UL 3Ø	3	22 3/8	16 3/8	3 5/8	7 7/8	9 1/8	7 1/8	3 1/8	2 3/8	4 3/4	6 5/8	1 1/4	2	9 1/4	9 3/8	4 1/8	7 1/8	1 1/2	22 3/8	9 1/8	24 3/8	2 3/8	7 1/8	5/8	75	T2-80	43	
FN-33UL 3Ø	3	22 3/8	16 3/8	3 5/8	7 7/8	9 1/8	7 1/8	3 1/8	2 3/8	4 3/4	6 5/8	1 1/4	2	9 1/4	9 3/8	4 1/8	7 1/8	1 1/2	22 3/8	9 1/8	24 3/8	2 3/8	7 1/8	5/8	79	T2-80	43	

Weight:lb

C.W.L.:Continuous Running Water Level
L.W.L.:Lowest Running Water Level

WT1:Pump Weight(Without Cable)
WT2:GRS Set Weight



NO.	Part name	Material	QTY
01	Cable		1
03	Upper Cover	FC200	1
06	Bracket	FC200	1
07	Stator		1
09	Shaft End	SUS403	1
10	Auto-cut Protector		1
11	Bearing Fixer	SPCC	1
12	Centrifugal Switch		1
14R	Capacitor		1
14S	Start Capacitor		1
16	Motor Frame	SUS304	1
17	Lubricant		
19	Bearing Bracket	FC200	1
20A	Bearing		1

NO.	Part name	Material	QTY
20B	Bearing		1
21	M. Seal	CA/CE & SiC/SiC	1
23	M. Seal Bracket	FC200	1
25	Oil Seal	NBR	1
26	Casing	FC200	1
27	Impeller	FC200	1
41	Handle	SUS304	1
46	Impeller Key	SUS304	1
47	Gasket Kit		